



## Product Description

The GLWPFC WallPack is a full cut-off series wallpack designed for an easy, universal installation best suited for outdoor illumination. With effective thermal management, corrosion-resistant, and die cast aluminum enclosure, the GLWPFC WallPack offers a glare free and uniform lighting, all while providing a comfortable visual experience.

## Features

- Available Dual Function Sensors: Motion & Photocell
- Maintenance Free & Environmentally Friendly (No Mercury Used)
- Dusk-To-Dawn Occupancy Control Compatible
- ES LM80 Tested LED
- LM79 Data & IES Files Available
- 1-10V Dimming Title 24 Compliant
- Available in 28, 40, 60, & 90-watts
- DLC Product Code: PF7H478X & PUA93UT6&PDK8JCKG&PWQWJJKU

**Project Name:**

**Date:**

**Prepared By:**

**Notes:**

## Construction

Constructed in a heavy-duty die cast aluminum with clear glass for brilliant light distribution.

## Finish

Luminaire coated in an environmentally friendly polyester powder formulated for a durable and long-lasting color in a bronze finish. No toxic heavy metals, VOC, or mercury were used in the design of this product.

## Installation

Directly mount on to any vertical surface over a standard 4" outlet box or for surface wiring.

## Testing and Certifications

All luminaires have been tested by an independent laboratory in accordance with IESNA LM79 and LM80. Product certifications include: DLC, ETL, Title 24, RoHS, Lighting Facts, and Safety Listing.

## Options, Accessories and Controls

Luminaire is compatible with most of the 1-10V dimming systems in the market and sensors including: dual function, KO, and backup sensor.

## Lifespan and Warranty

Industry-leading L70 rated lifetime of over 63,000 hours with ATG's guaranteed five (5) year warranty.

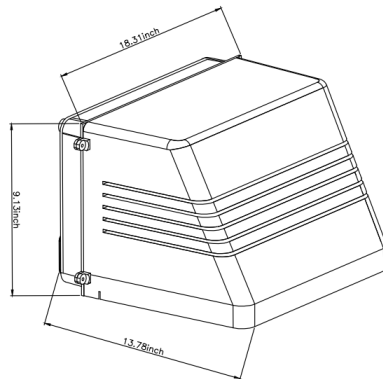
## Ordering Information:

Typical Order Example: WPFC28HU501000

Series	Housing	Watt	Voltage	CCT	Dimming	Options
WP=Wall Pack	FC=Full Cutoff	28=28W 40=40W 60=60W 90=90W	HU=100-277V H5=200-480V	30=3000K 35=3500K 40=4000K 50=5000K	10=1-10V Dimming	XX*

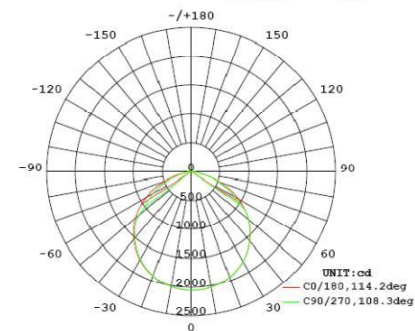
\*X=0-9, A-Z or blank

Series	Housing	Watt	Efficiency	LM/W	LM	Beam Angle	Beam Angle (10%)	Beam Angle (50%)	Life	Dimensions
GLWPFC28	28w	100~277VAC	100Lm/W	2800LM	80+	4000K 5000K	>0.9	<15%	63,000H	14.25*11.54*9.06 in
GLWPFC40	40w	100~277VAC	101Lm/W	3900LM	80+	4000K 5000K	>0.9	<20%	63,000H	14.25*11.54*9.06 in
GLWPFC60	60w	100~277VAC	101Lm/W	5800LM	80+	4000K 5000K	>0.9	<15%	61,000H	18.31*13.78*9.13 in
GLWPFC90	90w	100~277VAC	95Lm/W	8400LM	80+	4000K 5000K	>0.9	<20%	61,000H	18.31*13.78*9.13 in
Bronze		Die Cast Aluminum		Clear Glass		DLC, ETL		5 Years		



WPFC60,90W

Luminous Intensity Distribution



	C0/180	C45/225	C90/270	C135/315	AVG.
Beam Angle (50% lmax):	114.2	114.0	108.3	113.8	112.6
Field Angle (10% lmax):	154.5	153.8	151.8	153.1	153.3