



**Project Name:**

**Date:**

**Prepared By:**

**Notes:**

### Construction

Constructed in a heavy-duty die cast aluminum with prismatic glass for brilliant light distribution.

### Finish

Luminaire coated in an environmentally friendly polyester powder formulated for a durable and long-lasting color in a bronze finish. No toxic heavy metals, VOC, or mercury were used in the design of this product.

### Installation

Directly mount on to any vertical surface over a standard 4" outlet box or for surface wiring.

### Testing and Certifications

All luminaires have been tested by an independent laboratory in accordance with IESNA LM79 and LM80. Product certifications include: DLC, ETL, Title 24, RoHS, Lighting Facts, and Safety Listing.

### Options, Accessories and Controls

Luminaire is compatible with most of the 1-10V dimming systems in the market and sensors including: dual function, KO, and backup sensor.

### Lifespan and Warranty

Industry-leading L70 rated lifetime of over 94,000 hours with ATG's guaranteed five (5) year warranty.

### Product Description

The GLWPDS WallPack offers energy efficiency with a high lumen output best suited for outdoor illumination. With effective thermal management, corrosion-resistant, and die cast aluminum enclosure, the GLWPDS WallPack offers a glare free and uniform lighting all while providing a safe and comfortable visual experience. It guarantees 60-90 percent energy savings.

### Features

- Available Dual Function Sensors: Motion & Photocell
- Maintenance Free & Environmentally Friendly (No Mercury Used)
- Dusk-To-Dawn Occupancy Control Compatible
- ES LM80 Tested LED
- LM79 Data & IES Files Available
- 1-10V Dimming Title 24 Compliant
- Available in 28, 40, 60, & 90-watts
- DLC Product Code: P00000530&P0000052U&P0000052W&P0000052Y

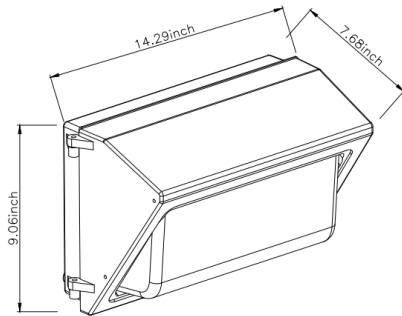
## Ordering Information:

Typical Order Example: WPDS28HU501000

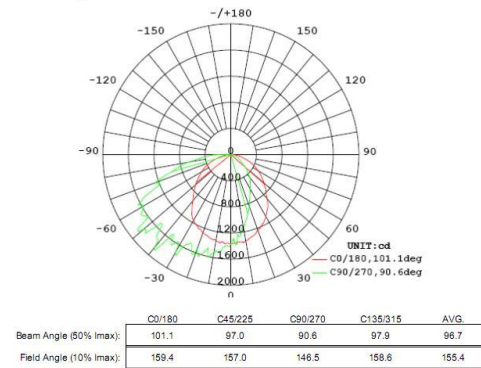
| Series       | Housing            | Watt                           | Voltage                    | CCT                                    | Dimming          | Options |
|--------------|--------------------|--------------------------------|----------------------------|--|------------------|---------|
| WP=Wall Pack | DS=Glass Refractor | 28=28W 40=40W<br>60=60W 90=90W | HU=100-277V<br>H5=200-480V | 30=3000K 35=3500K<br>40=4000K 50=5000K | 10=1-10V Dimming | XX*     |

\*X=0-9, A-Z or blank

|          |     |                   |        |                 |     |                |      |         |         |                    |
|----------|-----|-------------------|--------|-----------------|-----|----------------|------|---------|---------|--------------------|
| GLWPDS28 | 28w | 100~277VAC        | 80Lm/W | 2300LM          | 80+ | 4000K<br>5000K | >0.9 | <20%    | 94,000H | 14.29*7.68*9.06 in |
| GLWPDS40 | 40w | 100~277VAC        | 80Lm/W | 3200LM          | 80+ | 4000K<br>5000K | >0.9 | <20%    | 72,000H | 14.29*7.68*9.06 in |
| GLWPDS60 | 60w | 100~277VAC        | 80Lm/W | 4400LM          | 80+ | 4000K<br>5000K | >0.9 | <20%    | 65,000H | 18.31*9.61*9.06 in |
| GLWPDS90 | 90w | 100~277VAC        | 80Lm/W | 7200LM          | 80+ | 4000K<br>5000K | >0.9 | <20%    | 65,000H | 18.31*9.61*9.06 in |
| Bronze   |     | Die Cast Aluminum |        | Prismatic Glass |     | DLC, ETL       |      | 5 Years |         |                    |



Luminous Intensity Distribution



Genesys Light Group, LLC

[www.genesyslightgroup.com](http://www.genesyslightgroup.com)

[info@genesyslightgroup.com](mailto:info@genesyslightgroup.com)